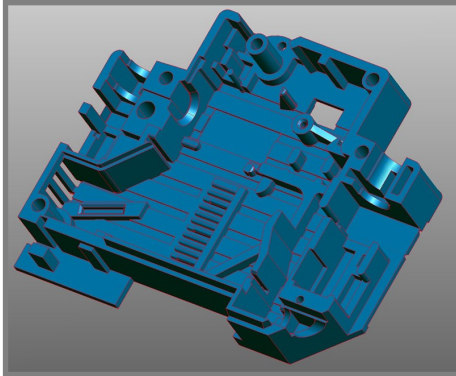


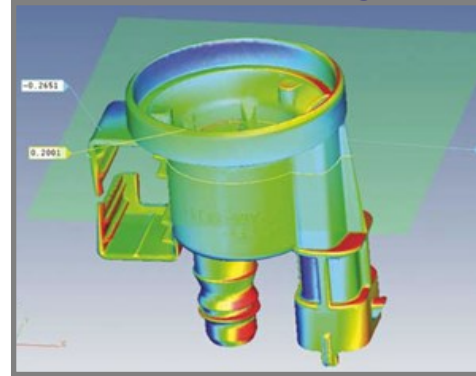


Part Scanning Services

CAD Modeling



CT Scanning



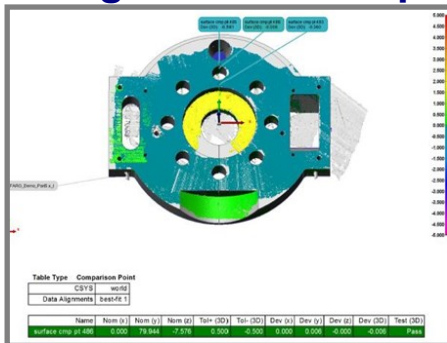
Long Range Scanning



Dimensional Inspection



Geomagic Custom Reports



Rapid Manufacture



Call the experts at PMC. PMC offers complete solutions for Digital Manufacturing.

Production Modeling Corporation ▪ 15726 Michigan Avenue, Dearborn, MI 48126
Phone: 313-441-4460 ▪ Email: sales@pmcorp.com ▪ Web Site: www.pmcorp.com
Locations: USA Headquarters ▪ Sweden ▪ India



Part Scanning Technology

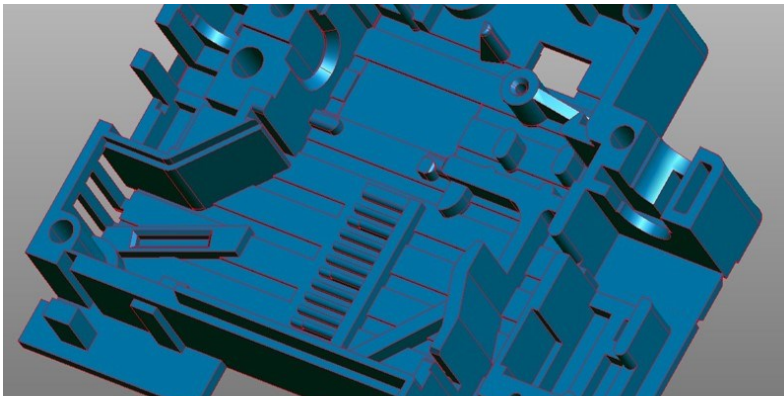
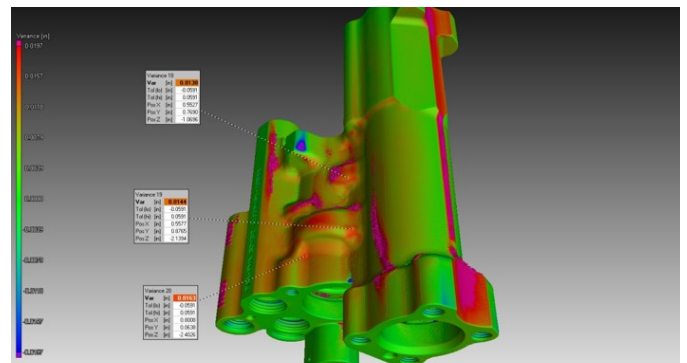


Laser Part Scanning

3D Laser Scanning is a non-contact, non-destructive technology that digitally captures the shape of physical objects using a line of laser light. 3D laser scanners create “point clouds” of data from the surface of an object, which allows the capture of a physical object’s exact size and shape into the computer world as a digital 3-dimensional representation.

Quality Inspection

Our engineers understand all phases of the manufacturing process. From prototyping to production, we can help you identify where problems may originate. Our detailed reports reveal exactly where deviations exist, saving time and money over manual inspection techniques.



Reverse Engineering

Using 3D scanning we can reverse engineer an object efficiently to generate a CAD model from a physical object. Scanning can capture any kind of complex or freeform shape. With 3D scanning existing parts can quickly be turned into a parametric models.

Some images courtesy of Laser Design Inc.

About PMC

- ✓ Providing manufacturing optimization services since 1985
- ✓ 6,000 completed projects, 600-plus customers
- ✓ Experience in diverse industries including automotive, industrial manufacturing, warehousing, aerospace, high technology, defense, and healthcare

Production Modeling Corporation ▪ 15726 Michigan Avenue, Dearborn, MI 48126
Phone: 313-441-4460 ▪ Email: sales@pmcorp.com ▪ Web Site: www.pmc Corp.com

Locations: USA Headquarters ▪ Sweden ▪ India